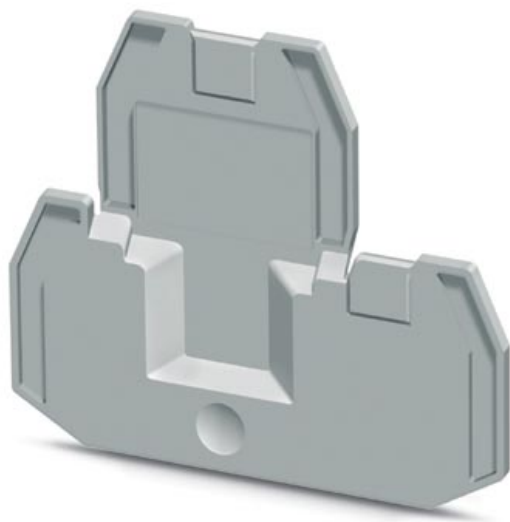


Please note that the data given here has been taken from the online catalog. For comprehensive information and data, please refer to the user documentation at <http://www.download.phoenixcontact.com>. The General Terms and Conditions of Use apply to Internet downloads.

## ► Extract from the online catalog

Cover, width: 2.2 mm, color: gray



Order No.	3047293
Ord designation	D-UTT8 2,5/4
EAN	4017918997267
Pack	50 Pcs.
Customs tariff	85472000
Weight/Piece	0.004492 KG
Catalog page information	Page 40 (CL-2007)

## ► Address

PHOENIX CONTACT Inc., USA  
586 Fulling Mill Road  
Middletown, PA 17057  
USA  
Phone (800) 888-7388  
Fax (717) 944-1625  
<http://www.phoenixcon.com>  
Phoenix Contact  
Technical modifications reserved;